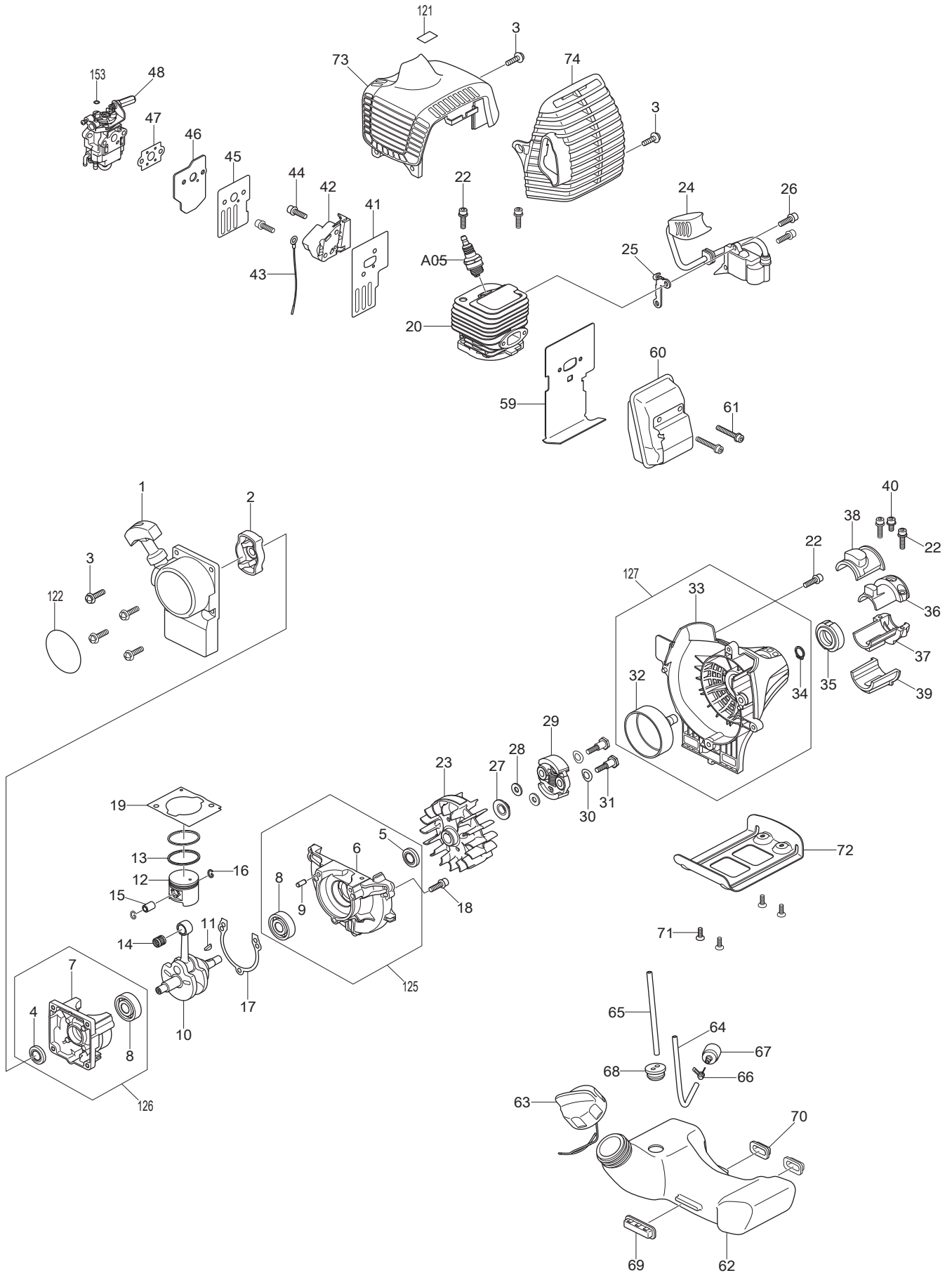


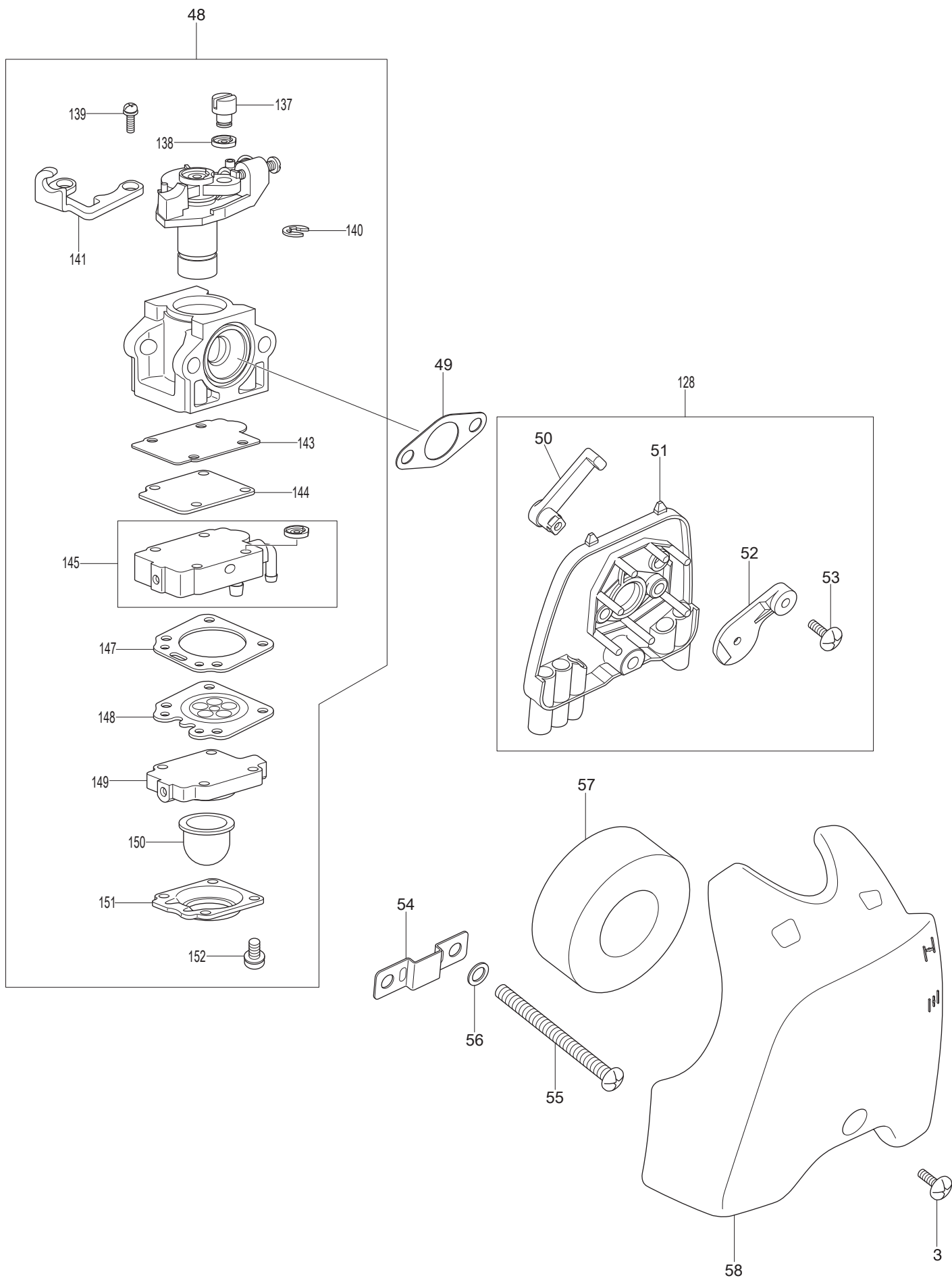


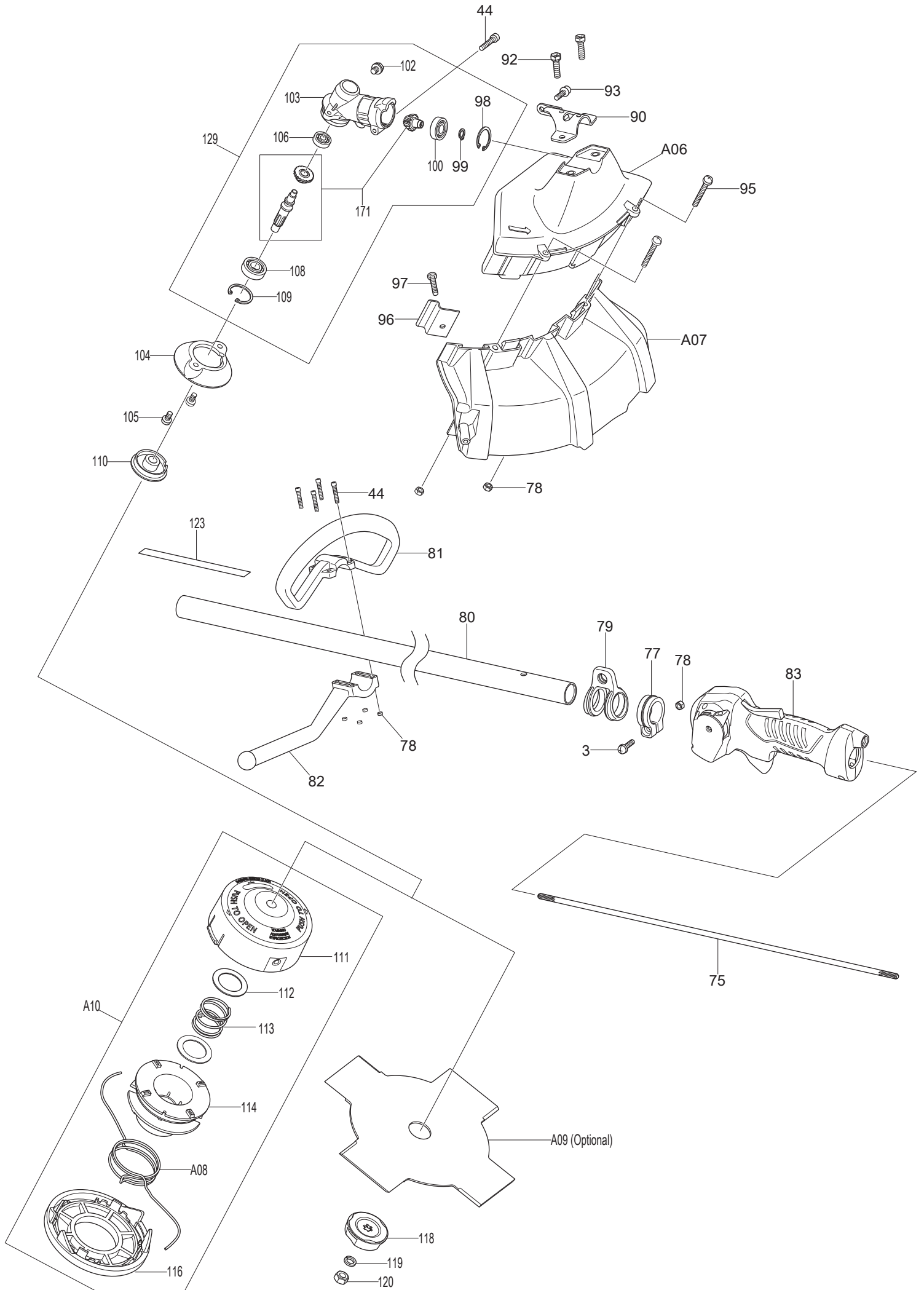
03 - 2014

EM2600L

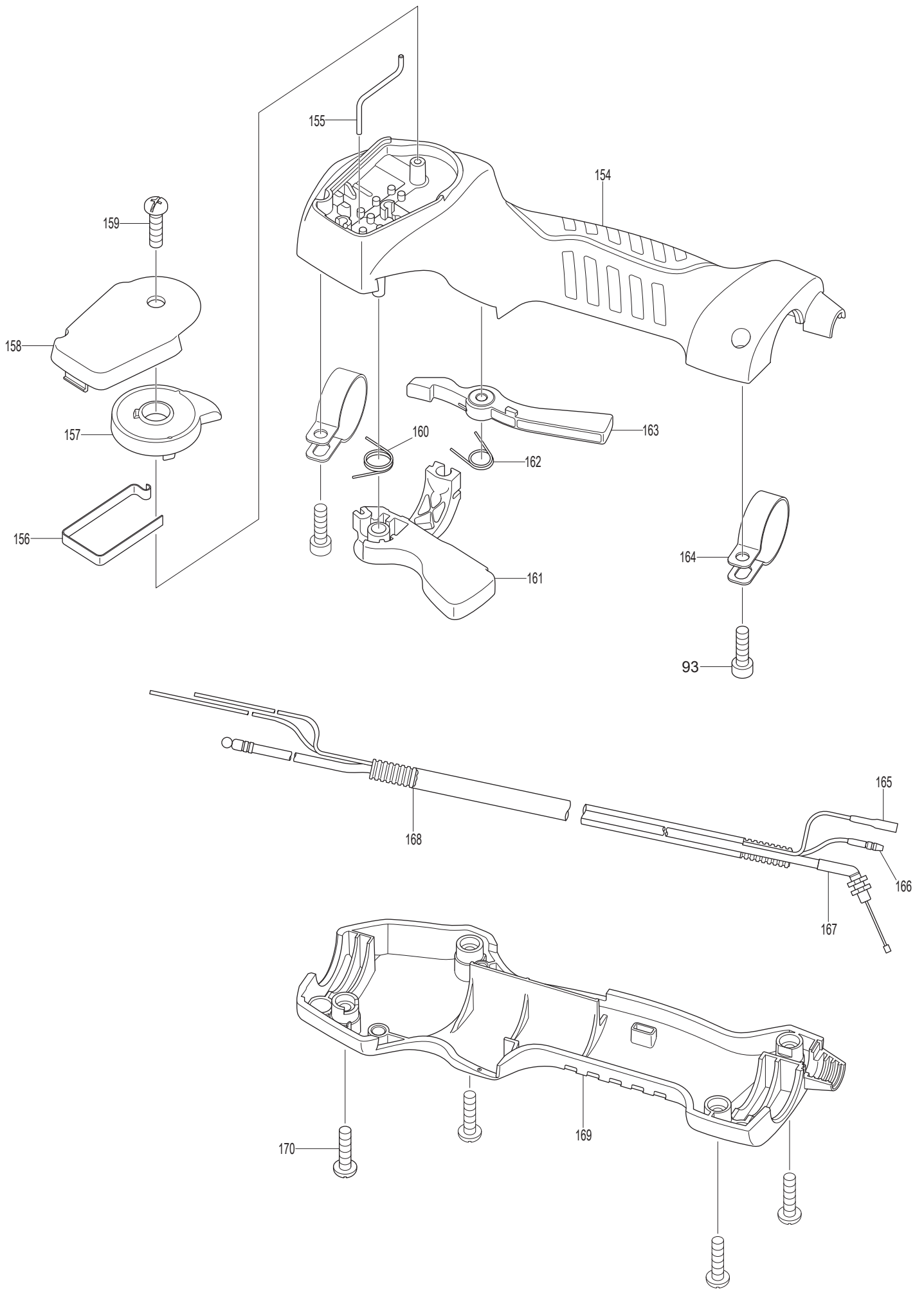
25.7CC STRAIGHT LINE TRIMMER







3 MODEL EM2600L



Item No	Type	Sub	Part No	Description	Qty	Unit
001			DA00000379	STARTER,REWIND ASSY	1	PC.
002			DA00000380	PULLEY	1	PC.
003			DA00000096	SCREW & WASHER ASS'Y	8	PC.
004			DA00000064	OIL SEAL	1	PC.
005			DA00000381	OIL SEAL	1	PC.
006			DA00000382	CRANKCASE1	1	PC.
007			DA00000383	CRANKCASE2	1	PC.
008			DA00000384	BALL BEARING	2	PC.
009			DA00000385	KNOCK	2	PC.
010			DA00000386	CRANKSHAFT COMPL	1	PC.
011			DA00000077	WOODRUFF KEY	1	PC.
012			DA00000387	PISTON	1	PC.
013			DA00000388	RING,PISTON	2	PC.
014			DA00000073	NEEDLE BEARING 8	1	PC.
015			DA00000389	PIN,PISTON	1	PC.
016			DA00000071	CLIP	2	PC.
017			DA00000390	GASKET,CRANKCASE	1	PC.
018			DA00000134	HEX. SOCKET HEAD BOLT M5X30	3	PC.
019			DA00000391	GASKET,CYLINDER	1	PC.
020			DA00000392	CYLINDER	1	PC.
022			DA00000080	SOCKET HEAD BOLT M5X20	7	PC.
023			DA00000393	FLYWHEEL COMPL	1	PC.
024			DA00000394	IGNITION COIL ASSY	1	PC.
025			DA00000395	INSULATOR,IGNITION COIL	1	PC.
026			DA00000396	SOCKET HAED BOLT M4	2	PC.
027			DA00000397	NUT,M6	1	PC.
028			DA00000398	WASHER	2	PC.
029			DA00000399	CLUTCH ASS'Y	1	PC.
030			DA00000400	WASHER	2	PC.
031			DA00000401	BOLT,CLUTCH	2	PC.
032			DA00000402	DRUM,CLUTCH COMPL	1	PC.
033			DA00000403	CLUTCH CASE	1	PC.
034			DA00000092	OUTER SNAP RING	1	PC.
035			DA00000405	BUFFER RUBBER	1	PC.
036			DA00000406	PIPE HOLDER	1	PC.
037			DA00000407	PIPE HOLDER	1	PC.
038			DA00000408	BUFFER RUBBER	1	PC.
039			DA00000409	BUFFER RUBBER	1	PC.
040			DA00000410	SOCKET HEAD BOLT M5X12(SW)	1	PC.
041			DA00000411	GASKET,INSULATOR	1	PC.
042			DA00000412	INSULATOR	1	PC.
043			DA00000413	WIRE COMPL	1	PC.
044			DA00000137	SOCKET HEAD BOLT M5X25	7	PC.
045			DA00000414	GASKET,CARBURETOR	1	PC.
046			DA00000415	INSULATOR,CARBURETOR	1	PC.
047			DA00000416	GASKET,CARBURETOR	1	PC.
048	2		DA00000417	CARBURETOR	1	PC.
		INC.		Item No. 137-141, 143-152		
049			DA00000418	GASKET,CARBURETOR	1	PC.
050			DA00000419	CHOCK LEVER	1	PC.
051			DA00000420	CLEANER PLATE	1	PC.
052			DA00000421	CHOCK PLATE	1	PC.

Item No	Type	Sub	Part No	Description	Qty	Unit
053			DA00000422	TAPPING SCREW 3X10	1	PC.
054			DA00000106	PLATE	1	PC.
055			DA00000107	PAN HEAD SCREW M5X63	2	PC.
056			DA00000198	SPRING WASHER	2	PC.
057			DA00000423	AIR FILTER	1	PC.
058			DA00000424	AIR CLEANER COVER	1	PC.
059			DA00000425	GASKET,MUFFLER	1	PC.
060			DA00000426	MUFFLER,EXHAUST	1	PC.
061			DA00000427	SOCKET HEAD BOLT M5X50(W)	2	PC.
062			DA00000509	FUEL TANK	1	PC.
063			DA00000122	FUEL TANK CAP COMPLETE	1	PC.
064			DA00000510	TUBE L	1	PC.
065			DA00000511	TUBE S	1	PC.
066			DA00000120	HOSE CLAMP	1	PC.
067	2		DA00000523	FUEL FILTER	1	PC.
068			DA00000118	GROMMET	1	PC.
069			DA00000429	BUFFER RUBBER	1	PC.
070			DA00000430	BUFFER RUBBER	2	PC.
071			DA00000432	TAPPING SCREW 4X12	4	PC.
072			DA00000431	STAND	1	PC.
073			DA00000433	CYLINDER COVER	1	PC.
074			DA00000435	MUFFLER COVER	1	PC.
075			DA00000436	SHAFT	1	PC.
077			DA00000129	HANGER STOPPER	1	PC.
078			DA00000130	NUT M5	7	PC.
079			DA00000131	HANGER	1	PC.
080			DA00000437	PIPE,SHAFT COMPL	1	PC.
081			DA00000374	HANDLE HOLDER 3	1	PC.
082			DA00000438	HANDLE INSTALLATION BOARD	1	PC.
083			DA00000439	CONTROL LEVER ASSEMBLY	1	PC.
090			DA00000144	PROTECTOR CLAMP	1	PC.
092			DA00000142	CROSSRECESS BOLT M6X23	2	PC.
093			DA00000143	SOCKET HEAD BOLT M5X14 (W,SW)	3	PC.
095			DA00000146	SCREW ASSEMBLY M5X40	2	PC.
096			DA00000148	CUTTER	1	PC.
097			DA00000149	TAPPING SCREW, ST5X25	1	PC.
098			DA00000150	INNER SNAP RING	1	PC.
099			DA00000151	OUTER SNAP RING	1	PC.
100			DA00000152	BALL BEARING #609ZZ	1	PC.
102			DA00000154	OIL BOLT M6X8	1	PC.
103			DA00000155	GEAR CASE	1	PC.
104			DA00000156	GUARD	1	PC.
105			DA00000157	SCREW ASSEMBLY,M5X25	2	PC.
106			DA00000158	BALL BEARING 626ZZ	1	PC.
108			DA00000160	BALL BEARING 6000DDU	1	PC.
109			DA00000161	INNER SNAP RING	1	PC.
110			DA00000162	RECEIVE WASHER	1	PC.
111			DA00000163	CUTTER BODY	1	PC.
112			DA00000164	SPRING SEAT	2	PC.
113			DA00000165	SPRING	1	PC.
114			DA00000166	REEL	1	PC.
116			DA00000168	BODY CAP	1	PC.

Item No	Type	Sub	Part No	Description	Qty	Unit
118			DA00000170	WASHER CLAMP COMPL	1	PC.
119			DA00000171	SPRING WASHER	1	PC.
120			DA00000172	NUT	1	PC.
121			DA00000442	LABEL	1	PC.
122			DA00000443	LABEL,MODEL	1	PC.
123			DA00000512	LABEL,CAUTION	1	PC.
125			DA00000448	CRANKCASE 1 ASS'Y	1	PC.
		INC.		Item No. 5,6,8,9		
126			DA00000449	CRANKCASE 2 ASS'Y	1	PC.
		INC.		Item No. 4,7,8		
127			DA00000450	CLUTCH CASE COMPLETE	1	PC.
		INC.		Item No. 32-34		
128			DA00000452	PLATE,AIR CLEANER ASSY	1	PC.
		INC.		Item No. 50-53		
129			DA00000453	GEAR CASE ASSY	1	PC.
		INC.		Item No. 98-100,102,103,106, 108,109,171		
137	1		5246001210	SWIVEL	1	PC.
	2		DA00001139	SWIVEL	1	PC.
138	2		DA00001140	WASHER	1	PC.
139	1		5266009020	SCREW	2	PC.
	2		DA00001141	SCREW	2	PC.
140	2		DA00001114	RING, SPRING RETAINING	1	PC.
141	1		5266009030	CABLE BRACKET	1	PC.
	2		DA00001142	CABLE BRACKET	1	PC.
143	2		DA00001143	PUMP GASKET	1	PC.
144	1		168575-6	PUMP DIAPHRAGM	1	PC.
	2		DA00001144	PUMP DIAPHRAGM	1	PC.
145	1		5266002010	PUMP BODY ASSEMBLY	1	PC.
	2		DA00001145	PUMP BODY ASSEMBLY	1	PC.
146	2		DA00001146	INLET SCREEN	1	PC.
147	2		DA00001147	METERING DIAPHRAGM GASKET	1	PC.
148	2		DA00001148	METERING DIAPHRAGM ASSY	1	PC.
149	3		DA00001179	AIR PURGE BODY ASSEMBLY	1	PC.
150	2		DA00001149	PRIMER PUMP	1	PC.
151	2		DA00001150	PRIMER PUMP COVER	1	PC.
152	2		DA00001151	SCREW	4	PC.
153			DA00000459	HOLDER	1	PC.
154			DA00000460	LEVER CASE L	1	PC.
155			DA00000461	LOCK PIN	1	PC.
156			DA00000462	LEAF SPRING	1	PC.
157			DA00000463	SWITCHLEVER	1	PC.
158			DA00000464	SWITCH COVER	1	PC.
159			DA00000465	TAPPING SCREW PT3X16	1	PC.
160			DA00000466	TORSION SPRING	1	PC.
161			DA00000467	THROTTLE LEVER	1	PC.
162			DA00000468	TORSION SPRING	1	PC.
163			DA00000469	LOCK LEVER	1	PC.
164			DA00000470	CLAMP 24	2	PC.
165			DA00000471	LEAD UNIT	1	PC.
166			DA00000472	LEAD UNIT	1	PC.
167			DA00000473	CONTROL CABLE	1	PC.
168			DA00000474	CORRUGATE,TUBE	1	PC.

Item No	Type	Sub	Part No	Description	Qty	Unit
169			DA00000475	LEVER CASE R	1	PC.
170			DA00000476	TAPPING SCREW PT4X18	4	PC.
171			DA00000378	GEAR ASSEY	1	PC.
C01			DA00001153	CARTON F/EM2600L	1	PC.

ACCESSORIES

- See Catalogue or visit www.makita.ca for more accessories -

A01			DA00000455	COVER,CUTTER BLADE F/Item No. A9	2	PC.
A02			DA00000456	BAND(SHOULDER HARNESS) ASSY	1	PC.
A03			DA00000457	WRENCH, SOCKET HEAD M5	1	PC.
A04			DA00000458	TOOL KIT (SCREWDRIVER, NU SETTER)	1	PC.
A05	2		965 603 021	SPARK PLUG	1	PC.
A06	1		DA00000145	* PROTECTOR ASSY F/BRUSH CUTTER & LINE TRIMMER	1	PC.
	2		DA00000525	* PROTECTOR ASSY F/BRUSH CUTTER & LINE TRIMMER	1	PC.
A07	1		DA00000147	* PROTECTOR F/LINE TRIMMER	1	PC.
	2		DA00000526	* PROTECTOR F/LINE TRIMMER	1	PC.
A08			B-01971	NYLON CORD.095X16.4'(2.4MMX5M)	1	PC.
A09			B-14118	9" BRUSHCUTTER BLADE 4T 1"	1	PC.
A10			198385-7	BUMP&FEED 95-M8L TRIMMER HEAD ASSY M8X1.25LH	1	PC.
A10			DA00000454	BUMP&FEED TRIMMER HEAD ASSY, LH	1	PC.

INC.

Item No. 111-114, A08

SERVICE CHANGES

1. Changes on Protector Assembly and Protector

(TI#Y06998)

Item No.	Description	Type 1	Type 2
A06	PROTECTOR ASSY	DA00000145	DA00000525
A07	PROTECTOR	DA00000147	DA00000526

Above parts are completely interchangeable as a set.

